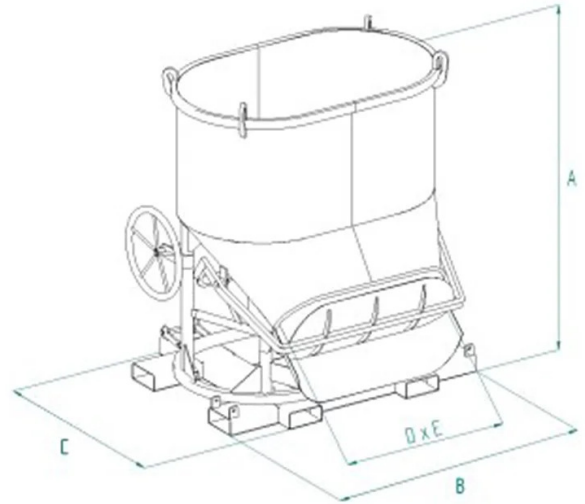


## DATA SHEET - CONCRETE FORKLIFT SKIP WITH GEARED OPENING



Code	Capacity (kg)	Capacity (L)	Weight (kg)
BOT-50GAL	1300	500	215
BOT-75GAL	1950	750	310
BOT-99GAL	2600	1000	350
BOT-150GAL	3900	1500	470
BOT-200GAL	5200	2000	530

## DATA SHEET - CONCRETE FORKLIFT SKIP WITH GEARED OPENING

### Concrete buckets




## Concrete forklift skip with geared opening

### Oval concrete bucket with side discharge and large lever opening

The BOT-GAL model is an oval-shaped concrete bucket specially designed to excel in concrete pouring operations, particularly in the prefabrication sector. Featuring a side discharge with guillotine closure and a wide opening controlled by two lateral levers, the BOT-GAL ensures optimal control of concrete during the discharge process, ensuring efficient and safe flow. The forkable base allows quick and safe lifting via forklift or telehandler, contributing to increased productivity and reduced downtime. Crane lifting is facilitated through four lifting points to ensure stability. The finish is powder-coated in RAL 1003 color. Available in various sizes and capacities, as specified in the table below, the BOT-GAL model can be customized to fit the specific needs of your project. All our buckets are built and tested according to the standards of UNI EN ISO 12100, UNI EN 13854, ISO 8686, UNI EN 10027, and UNI EN 10204, ensuring the highest quality and safety on-site. Each product is accompanied by a metal ID plate, certificate of conformity, and user and maintenance manual. Our commitment to quality is also reflected in the one-year warranty coverage, in compliance with the European Directive.

### Application sectors

 Construction