

GEDA[®] 200 Z

**Ideal for scaffolders and
construction workers**

**Lightweight platform – only
44 kg**

Easy, fast assembly

**Platform swivels 90° to both
sides**

**Space-saving loading and un-
loading parallel to the building/
scaffolding**









GEDA 200 Z

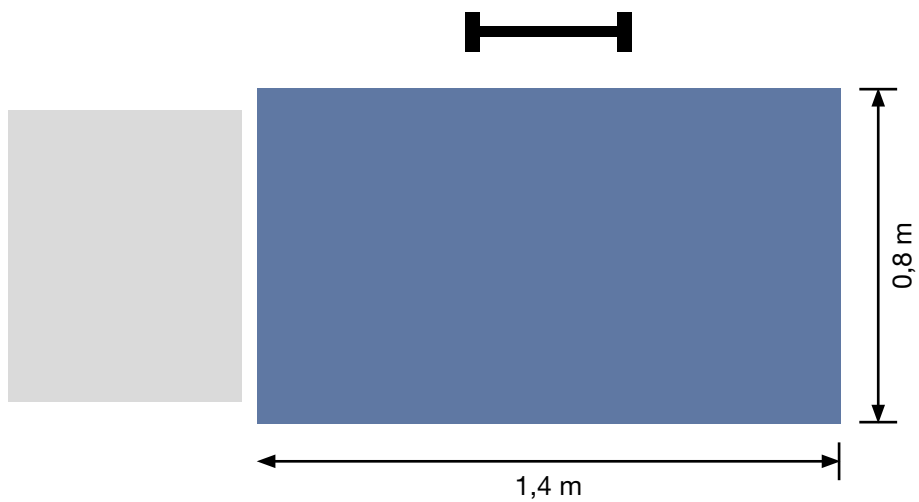
The compact and lightweight GEDA 200 Z is the ideal helper for scaffolders and construction workers. At the place of use, it impresses with easy setup directly from the platform and with its very small footprint: The patented quick lock system of the ladder sections replaces complicated threaded connections and allows quick and easy assembly of the device. The base unit and the platform of the GEDA 200 Z require an area of only 1.5 x 1.5 m on the ground, allowing loading of the platform (which weighs only 44 kg) parallel to the building without problems. As the platform can be swivelled to the right and left by 90 degrees, unloading at the different landing levels is also perfectly easy. With a load capacity of 200 kg and a lifting speed of 25 m/min, the GEDA 200 Z achieves a lifting height of up to 35 m. The material hoist is designed to be easy to maintain and repair, ensures rapid scaffolding setup and provides smooth and efficient material transport at construction sites.

Technical data:

	200 kg
	35 m
	25 m/min
	1.7 kW/230 V/ 50 Hz/16 A

Platform:

Ideal for scaffolders and construction workers



GEDA 200 Z swivel platform
1 loading and unloading ramp

Landing level safety gate:



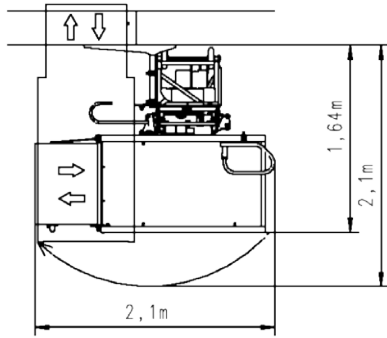
ECO
Art. No. 38500

Accessories:

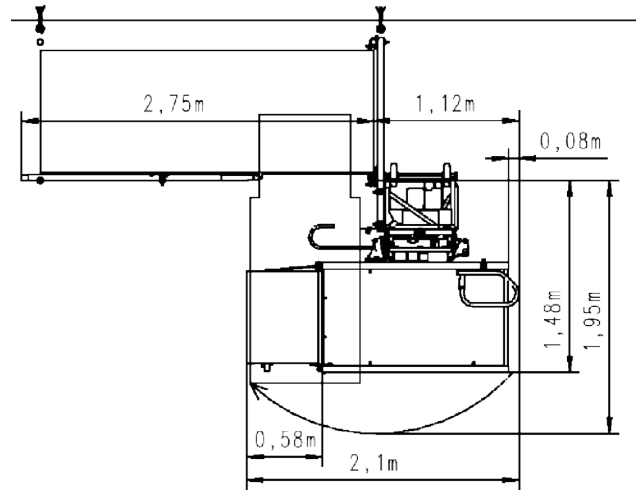
For a wide range of accessories visit:
www.geda.de



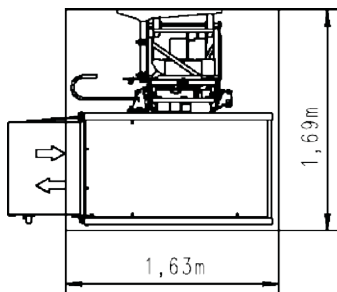
Space requirements:



Normal space requirement in front of a wall



Normal space requirement in front of a scaffold



Shaft dimensions

