

# GEDA® 1500 Z/ZP



**Two devices in one: material hoist and transport platform**

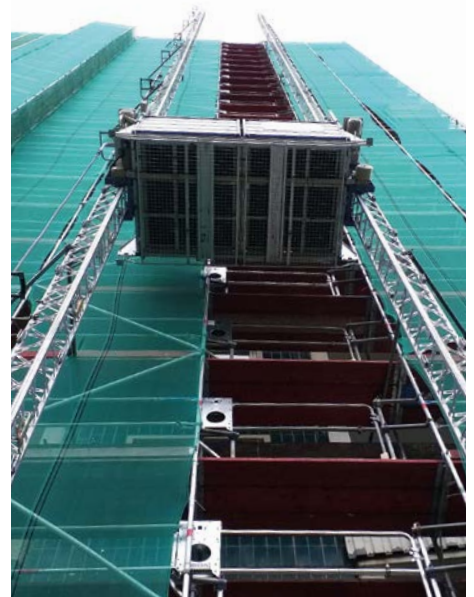
**Flexible – the right platform variant for any construction site situation**

**GEDA UNI-X-MAST system**

**Spacious platform for bulky and heavy construction materials**

**Automatic lubrication device as a standard**









### GEDA 1500 Z/ZP

The GEDA 1500 Z/ZP has two separate control systems and can be used either as a material hoist only or as a transport platform for passengers and materials. The transport platform control with a speed of 12 m/min is activated for transporting passengers and materials. For transporting construction materials only, the device is switched to the material hoist mode with a lifting speed of 24 m/min.

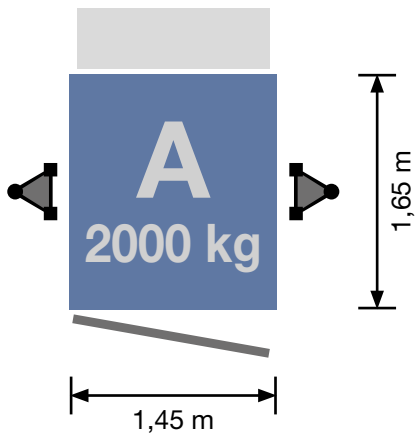
One device, numerous possibilities: the double-mast GEDA 1500 Z/ZP transport platform ideally adapts to virtually any conditions on site thanks to the convenient modular system with 14 different platform versions and different load capacities. The large loading platform variants of the GEDA 1500 Z/ZP offer plenty of space – even for transporting particularly heavy and bulky materials.

Despite high load capacities of up to 2000 kg, the proven double mast system ensures a stable and smooth travelling motion.

### Technical data:

	<b>2000 kg</b> <b>7 persons</b>
	<b>100 m</b>
	<b>12/24 m/min</b>
	<b>2 x 3.0/6.1 kW</b> <b>400 V/50 Hz/32 A</b>

**Platform:**



**GEDA 1500 Z/ZP platform A**  
1 loading door / 1 unloading ramp

**Accessories:**

For a wide range of accessories visit:  
[www.geda.de](http://www.geda.de)



**Further landing level safety gates:**

Art. No. 01217	Standard
Art. No. 01268	Standard-Basic
Art. No. 68310	Sheet metal panel for Standard-Basic/Standard

**Recommended landing level safety gates:**

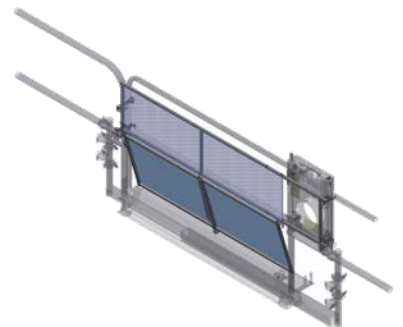


**NEW!**

**Premium**  
Art. No. 68040



**Comfort**  
Art. No. 01212



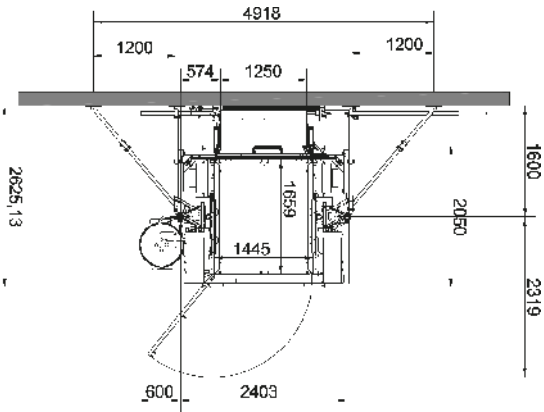
**Sheet metal panel for Comfort**  
Art. No. 68302



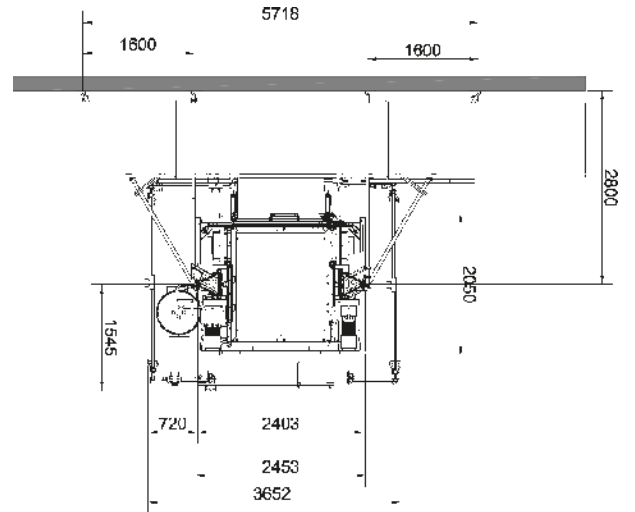
**NEW!**

**Flexy**  
Art. No. K02025

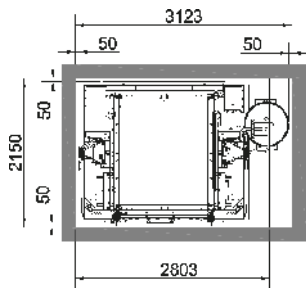
**Space requirements:**



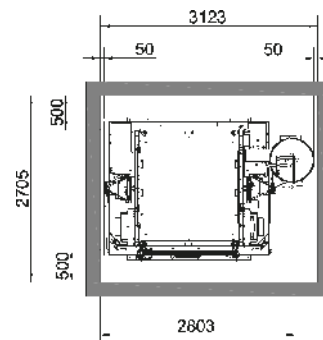
**Normal space requirement in front of a wall**



**Normal space requirement in front of a scaffold**

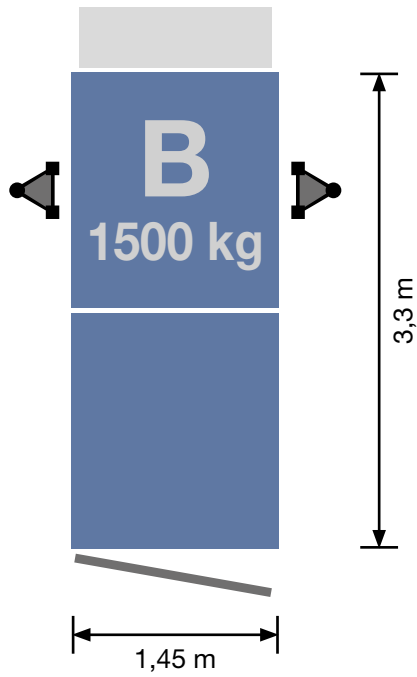


**Shaft dimensions**  
(no person transport)



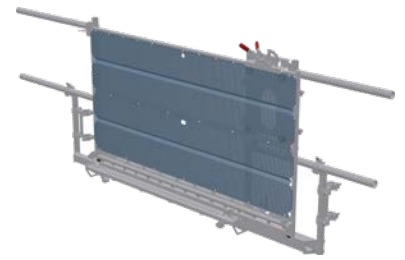
**Shaft dimensions**  
(person transport)

**Platform:**



**GEDA 1500 Z/ZP platform B**  
1 loading door / 1 unloading ramp

**Recommended landing level safety gates:**

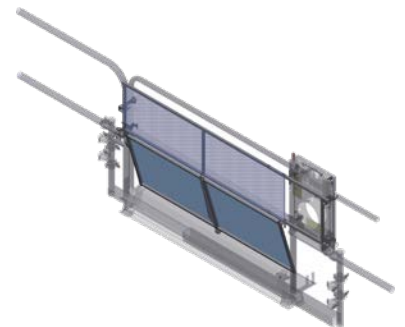


**NEW!**

**Premium**  
Art. No. 68040



**Comfort**  
Art. No. 01212



**Sheet metal panel for Comfort**  
Art. No. 68302

**Accessories:**

For a wide range of accessories visit:  
[www.geda.de](http://www.geda.de)



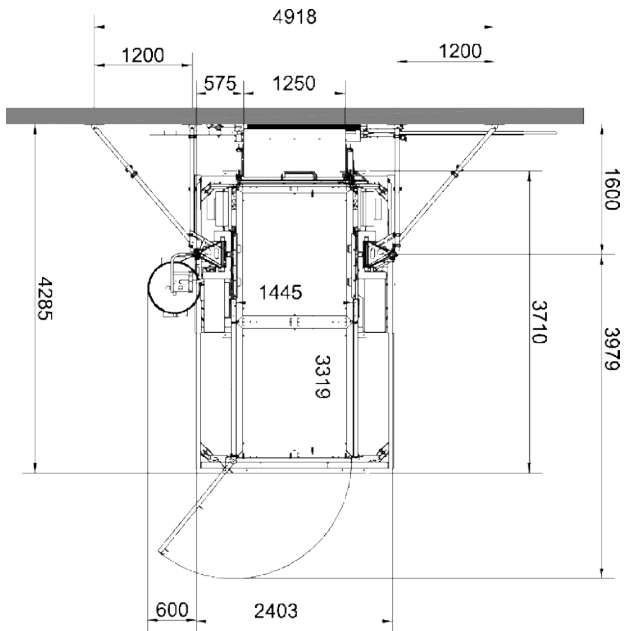
**Further landing level safety gates:**

Art. No. 01217	Standard
Art. No. 01268	Standard-Basic
Art. No. 68310	Sheet metal panel for Standard-Basic/Standard

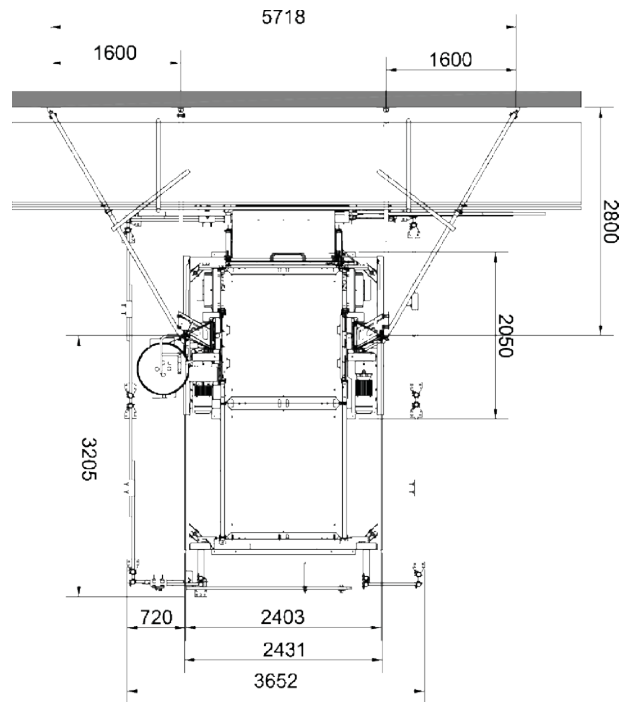
**NEW!**

**Flexy**  
Art. No. K02025

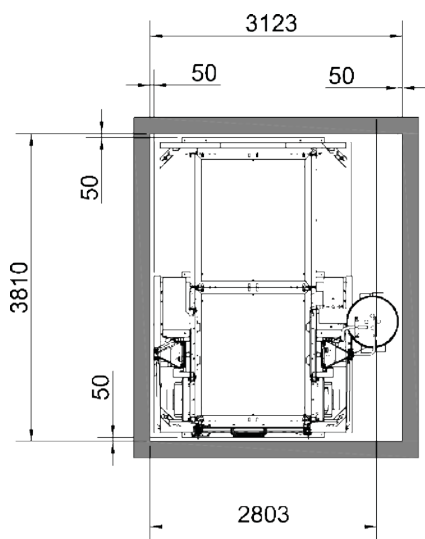
**Space requirements:**



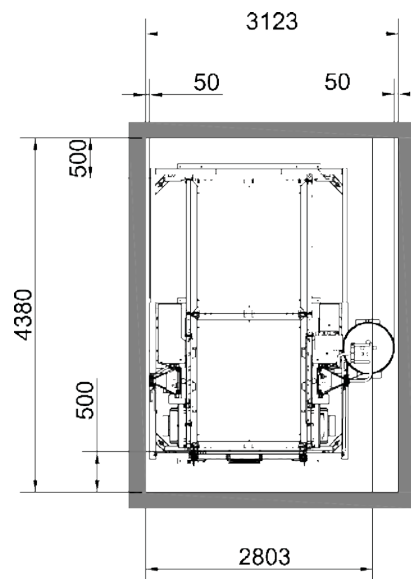
**Normal space requirement in front of a wall**



**Normal space requirement in front of a scaffold**

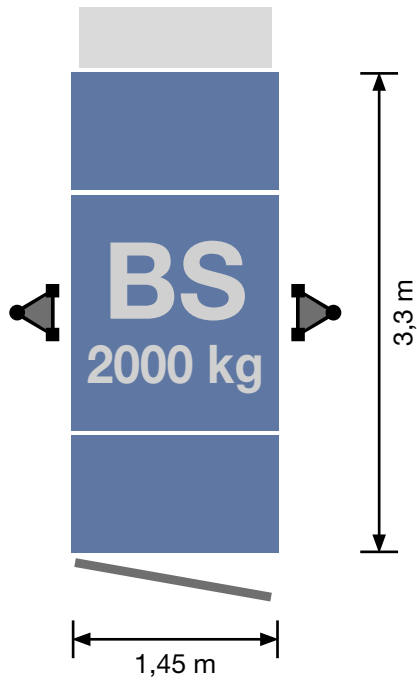


**Shaft dimensions**  
(no person transport)



**Shaft dimensions**  
(person transport)

**Platform:**



**GEDA 1500 Z/ZP platform BS**  
1 loading door / 1 unloading ramp

**Recommended landing level safety gates:**

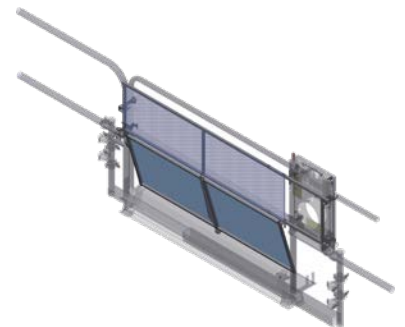


**NEW!**

**Premium**  
Art. No. 68040



**Comfort**  
Art. No. 01212



**Sheet metal panel for Comfort**  
Art. No. 68302

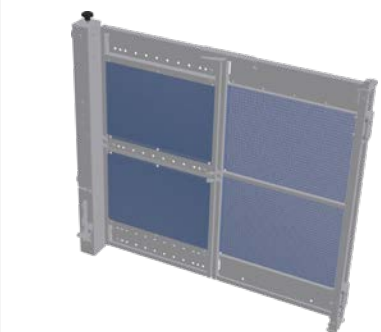
**Accessories:**

For a wide range of accessories visit:  
[www.geda.de](http://www.geda.de)



**Further landing level safety gates:**

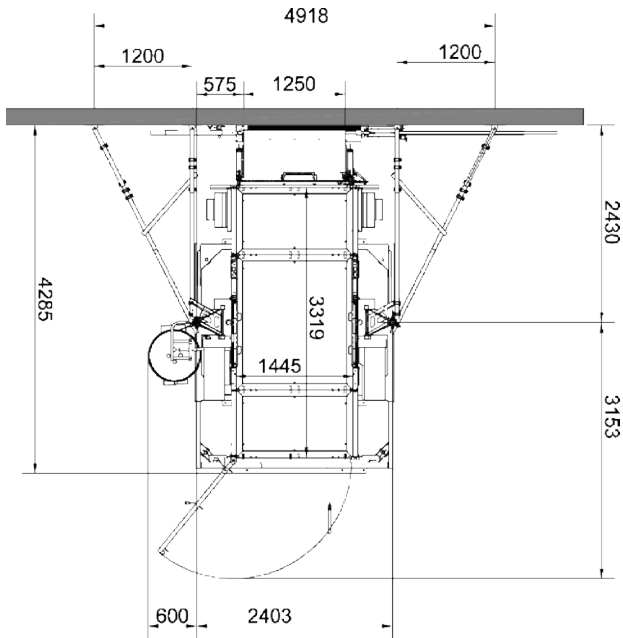
Art. No. 01217	Standard
Art. No. 01268	Standard-Basic
Art. No. 68310	Sheet metal panel for Standard-Basic/Standard



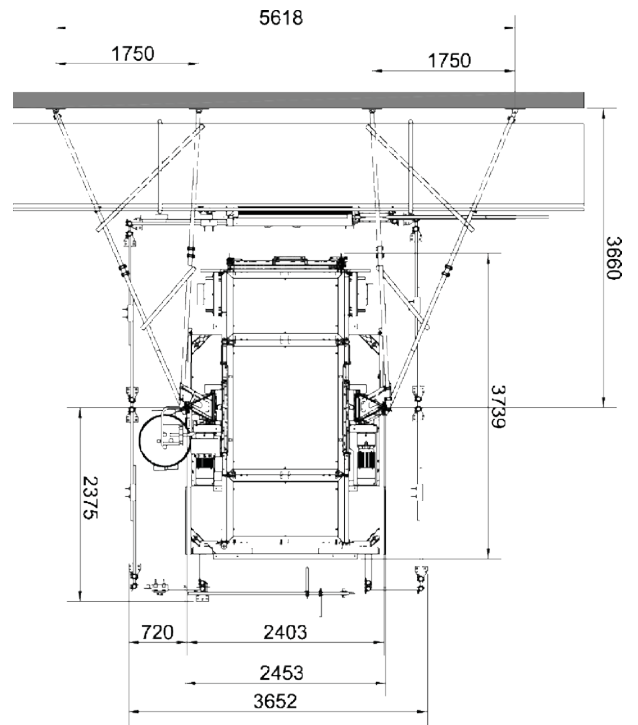
**NEW!**

**Flexy**  
Art. No. K02025

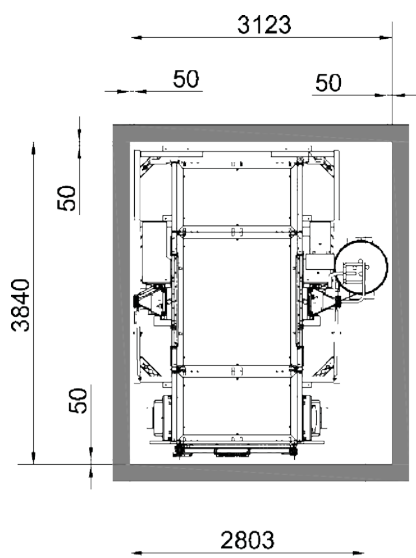
**Space requirements:**



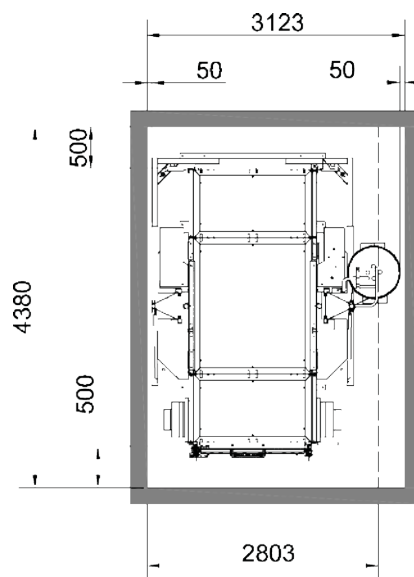
**Normal space requirement in front of a wall**



**Normal space requirement in front of a scaffold**



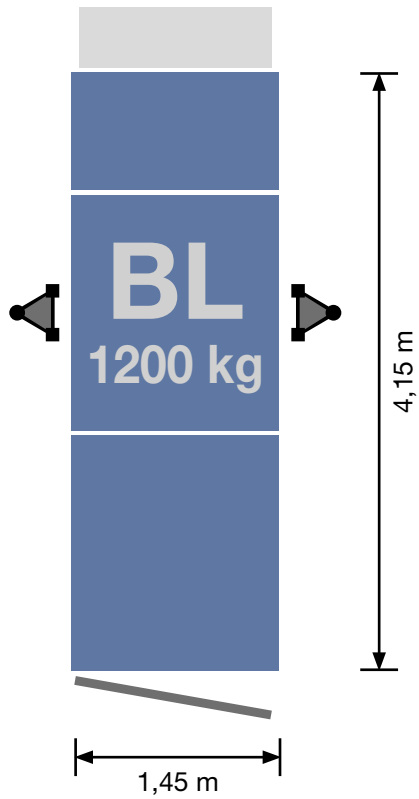
**Shaft dimensions**  
(no person transport)



**Shaft dimensions**  
(person transport)



**Platform:**



**GEDA 1500 Z/ZP platform BL**  
1 loading door / 1 unloading ramp

**Recommended landing level safety gates:**

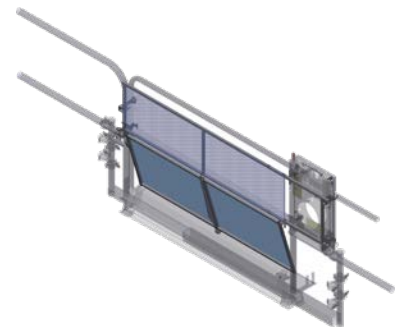


**NEW!**

**Premium**  
Art. No. 68040



**Comfort**  
Art. No. 01212



**Sheet metal panel for Comfort**  
Art. No. 68302

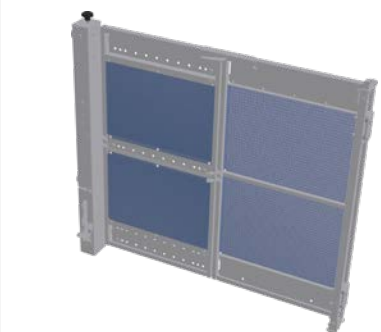
**Accessories:**

For a wide range of accessories visit:  
[www.geda.de](http://www.geda.de)



**Further landing level safety gates:**

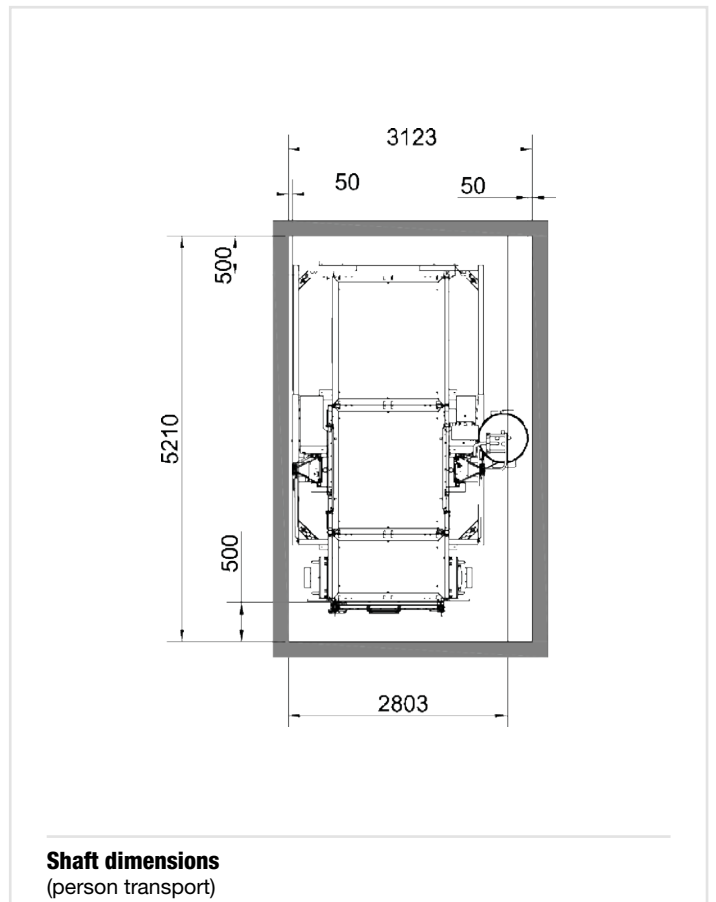
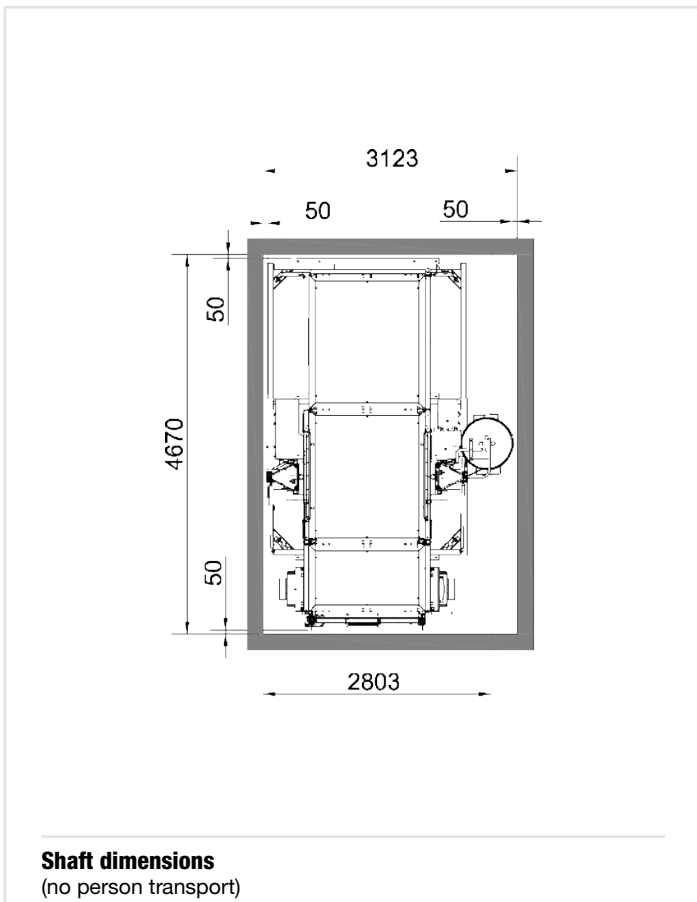
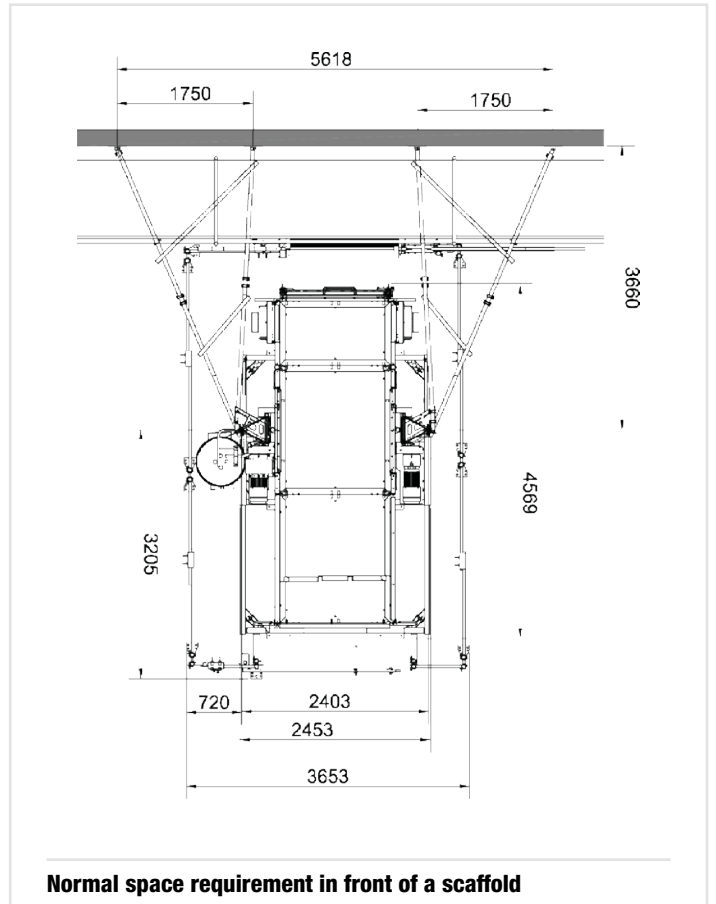
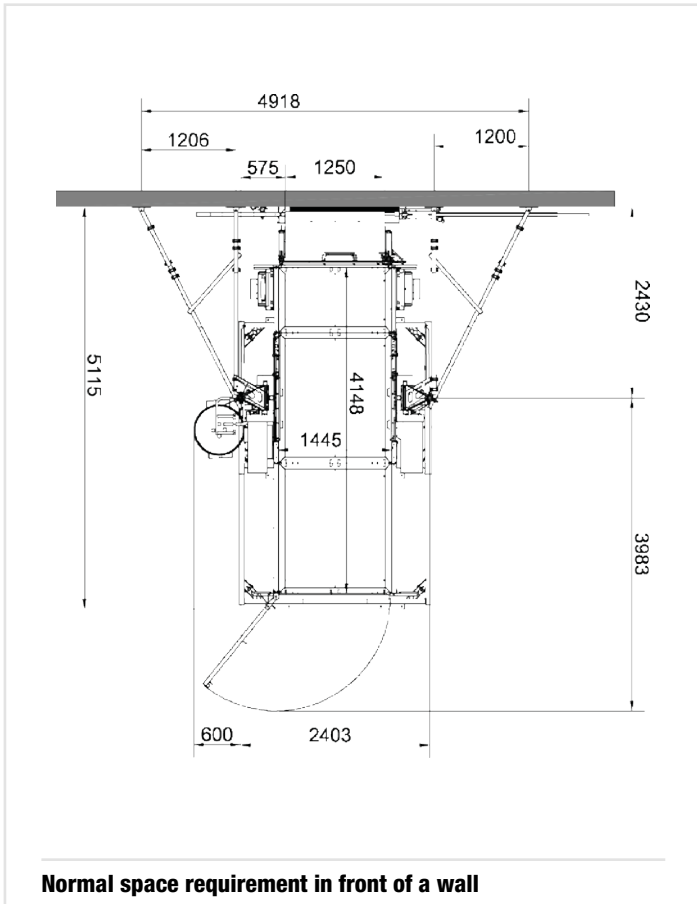
Art. No. 01217	Standard
Art. No. 01268	Standard-Basic
Art. No. 68310	Sheet metal panel for Standard-Basic/Standard



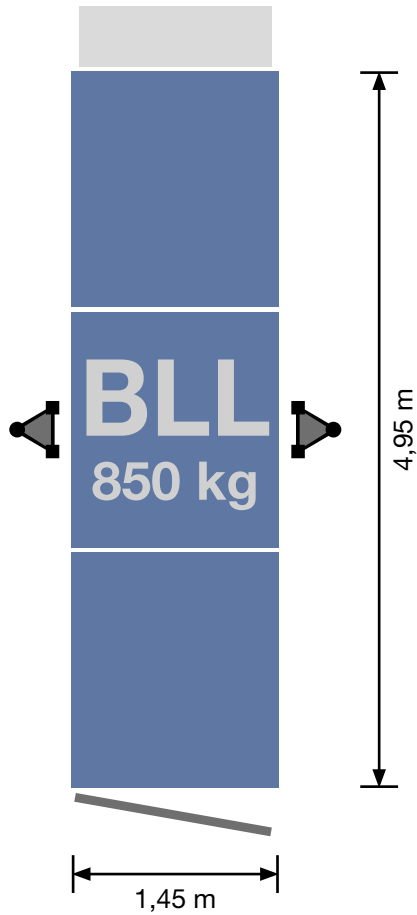
**NEW!**

**Flexy**  
Art. No. K02025

**Space requirements:**

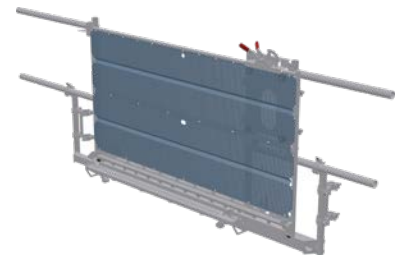


**Platform:**



**GEDA 1500 Z/ZP platform BLL**  
1 loading door / 1 unloading ramp

**Recommended landing level safety gates:**

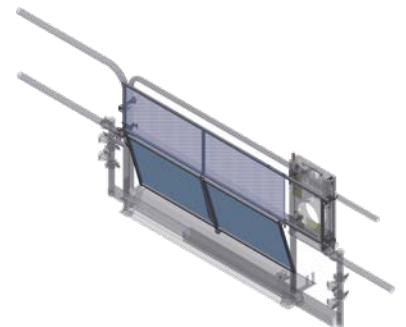


**NEW!**

**Premium**  
Art. No. 68040



**Comfort**  
Art. No. 01212



**Sheet metal panel for Comfort**  
Art. No. 68302

**Accessories:**

For a wide range of accessories visit:  
[www.geda.de](http://www.geda.de)



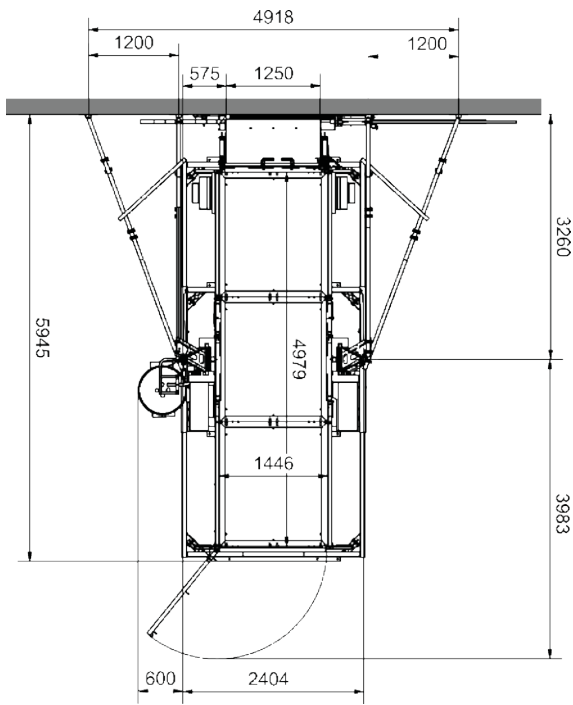
**Further landing level safety gates:**

Art. No. 01217	Standard
Art. No. 01268	Standard-Basic
Art. No. 68310	Sheet metal panel for Standard-Basic/Standard

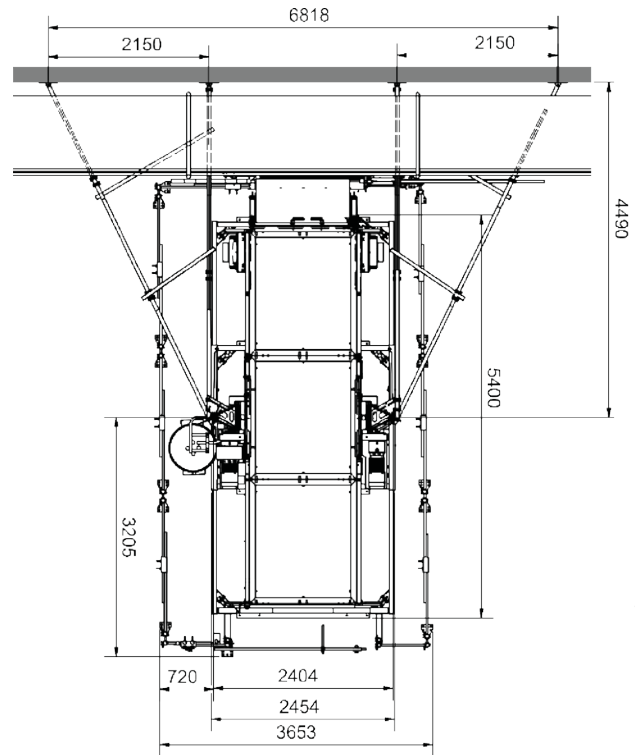
**NEW!**

**Flexy**  
Art. No. K02025

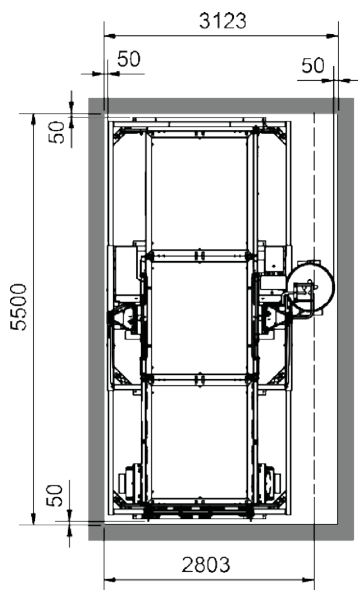
**Space requirements:**



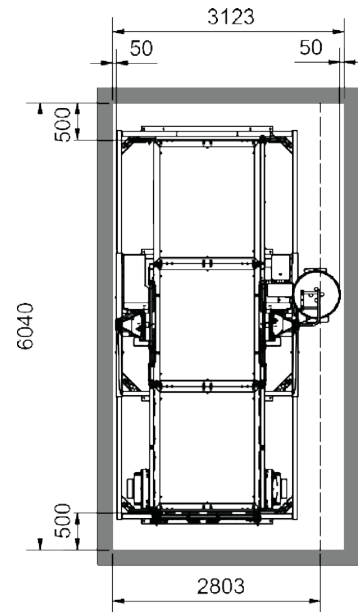
**Normal space requirement in front of a wall**



**Normal space requirement in front of a scaffold**

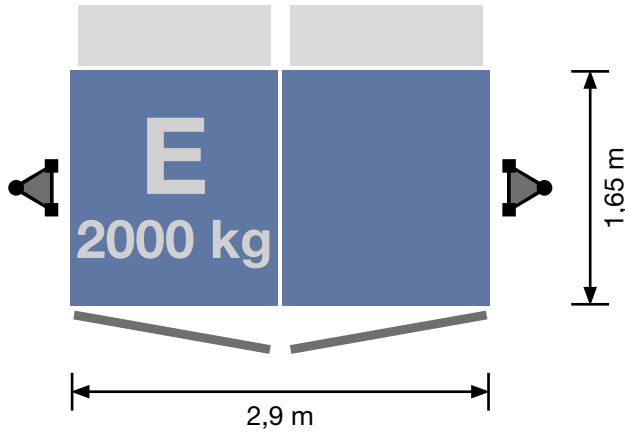


**Shaft dimensions**  
(no person transport)

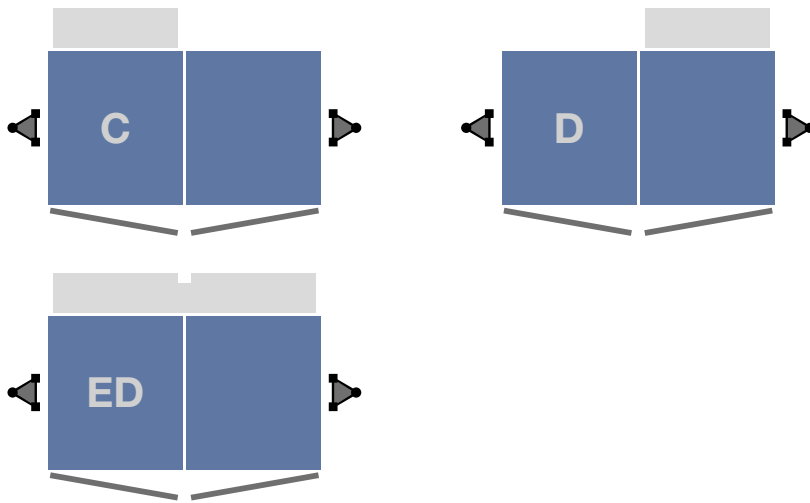


**Shaft dimensions**  
(person transport)

**Platform:**



**GEDA 1500 Z/ZP platform E**  
2 loading doors / 2 unloading ramps



**Accessories:**

For a wide range of accessories visit:  
[www.geda.de](http://www.geda.de)



**Further landing level safety gates:**

Art. No. 01217	Standard
Art. No. 01268	Standard-Basic
Art. No. 68310	Sheet metal panel for Standard-Basic/Standard

**Recommended landing level safety gates:**

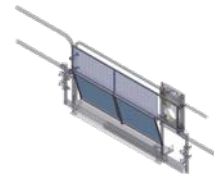


**NEW!**

**Premium**  
Art. No. 68040



**Comfort**  
Art. No. 01212



**Sheet metal panel for Comfort**  
Art. No. 68302

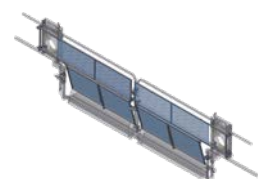


**NEW!**

**Flexy**  
Art. No. K02025

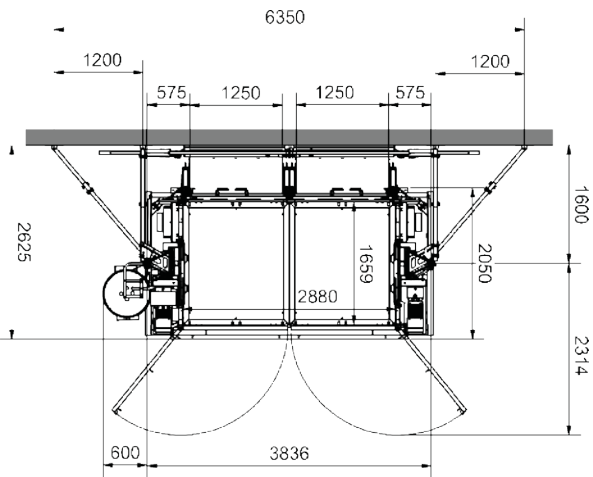


**Comfort-Maxi**  
Art. No. 01213

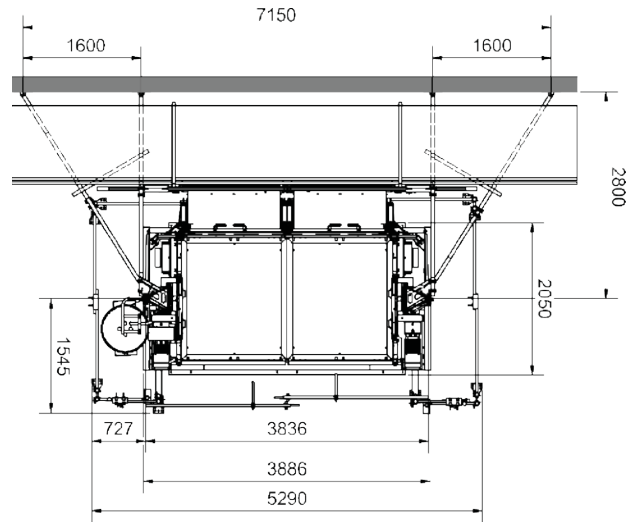


**Sheet metal panel for Comfort-Maxi**  
Art. No. 68320

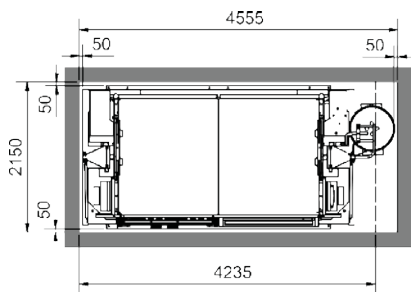
**Space requirements:**



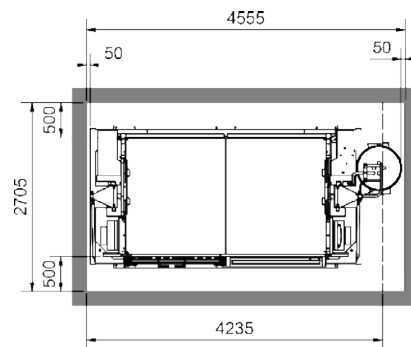
**Normal space requirement in front of a wall**



**Normal space requirement in front of a scaffold**



**Shaft dimensions**  
(no person transport)

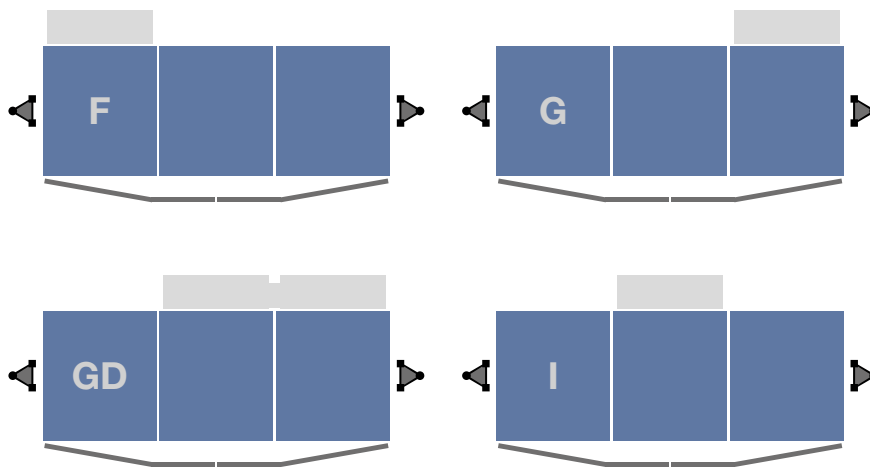


**Shaft dimensions**  
(person transport)

**Platform:**



**GEDA 1500 Z/ZP platform H**  
2 loading doors / 2 unloading ramps



**Accessories:**

For a wide range of accessories visit:  
[www.geda.de](http://www.geda.de)



**Further landing level safety gates:**

Art. No. 01217	Standard
Art. No. 01268	Standard-Basic
Art. No. 68310	Sheet metal panel for Standard-Basic/Standard

**Recommended landing level safety gates:**



**NEW!**

**Premium**  
Art. No. 68040



**Comfort**  
Art. No. 01212



**Sheet metal panel for Comfort**  
Art. No. 68302



**NEW!**

**Flexy**  
Art. No. K02025

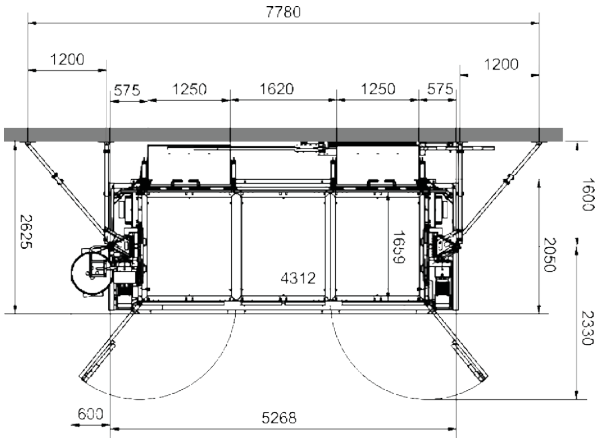


**Comfort-Maxi**  
Art. No. 01213

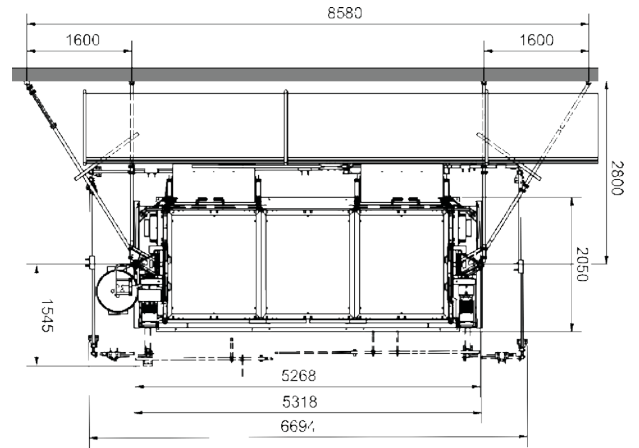


**Sheet metal panel for Comfort-Maxi**  
Art. No. 68320

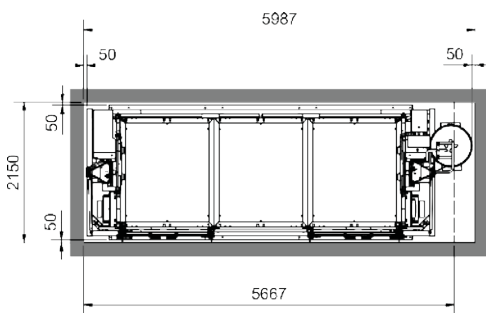
**Space requirements:**



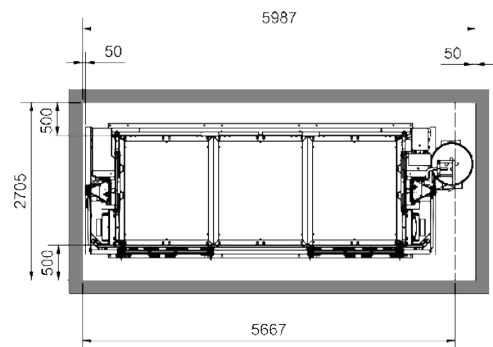
**Normal space requirement in front of a wall**



**Normal space requirement in front of a scaffold**



**Shaft dimensions**  
(no person transport)



**Shaft dimensions**  
(person transport)