

GEDA® 1200 Z/ZP



Your powerful partner for heavy loads and efficient working

Two devices in one: material hoist and transport platform

Large loading volume – allows convenient transport of all types of construction materials

Safe loading and unloading at all landing levels

Automatic lubrication device as a standard





GEDA 1200 Z/ZP





The large loading capacity of the GEDA 1200 Z/ZP transport platform allows quick and safe transport even of bulky and heavy construction materials.

With two separate controls, the GEDA 1200 Z/ZP can be used simply as a material hoist with a lifting speed of 24 m/min or as a transport platform for passengers and materials with a lifting speed of 12 m/min.

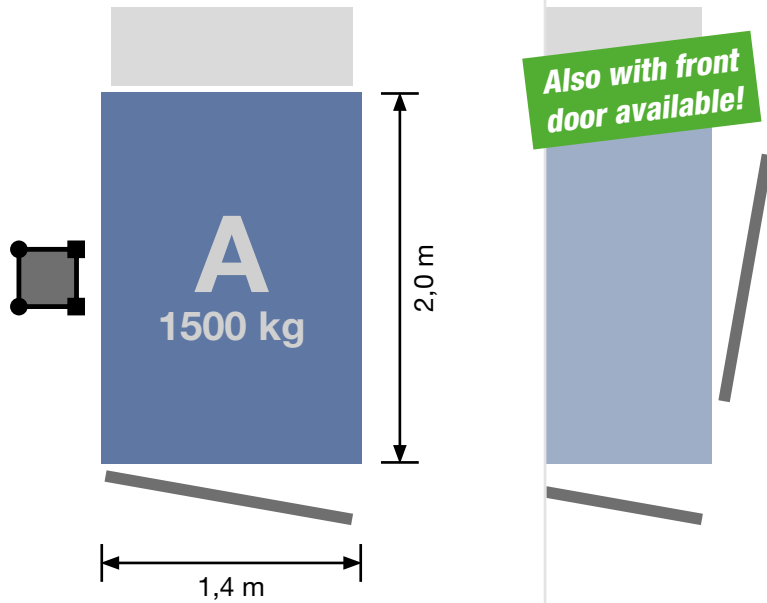
Various platform modules with different load capacities and sizes offer the right solution for any area of application and any challenge at a construction site.

Despite the high load capacity of up to 1500 kg, the transport platform is guided on only one mast of the proven GEDA VARIO-MAST system. With an adapter mast, the GEDA 1200 Z/ZP can also be operated with the GEDA S_{VARIO}-MAST.

Technical data:

	1500 kg 7 persons
	130 m
	12/24 m/min
	2 x 3.0/6.1 kW/400 V/ 50 Hz/32 A

Platform:



GEDA 1200 Z/ZP platform A
1 loading door / 1 unloading ramp

Recommended landing level safety gates:

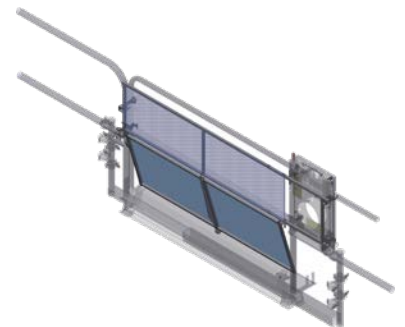


NEW!

Premium
Art. No. 68040



Comfort
Art. No. 01212



Sheet metal panel for Comfort
Art. No. 68302

Accessories:

For a wide range of accessories visit:
www.geda.de



Further landing level safety gates:

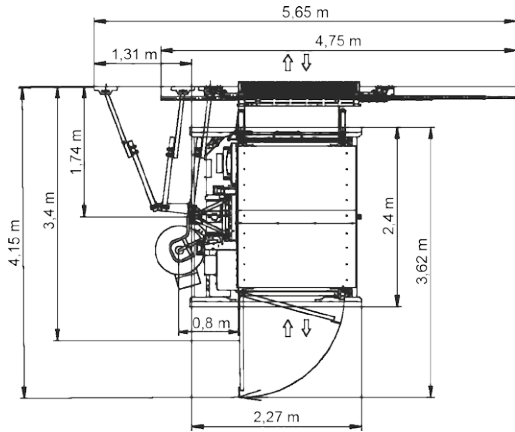
Art. No. 01217	Standard
Art. No. 01268	Standard-Basic
Art. No. 68310	Sheet metal panel for Standard-Basic/Standard



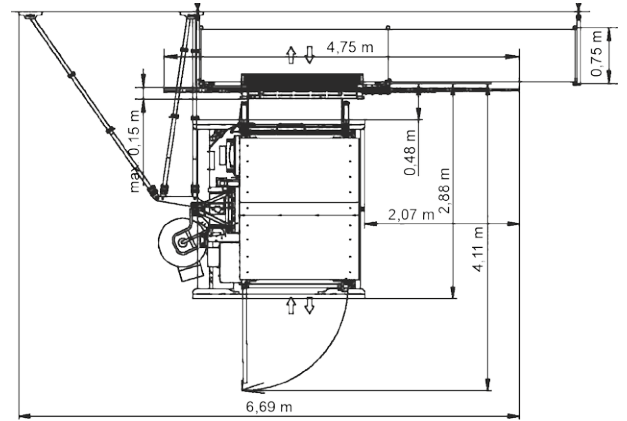
NEW!

Flexy
Art. No. K02025

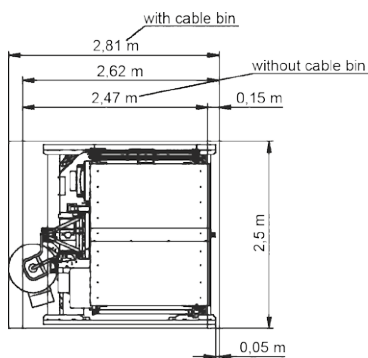
Space requirements:



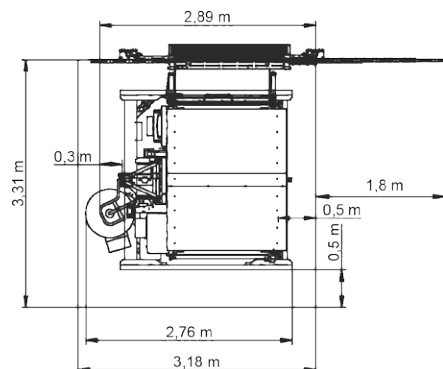
Normal space requirement in front of a wall



Normal space requirement in front of a scaffold

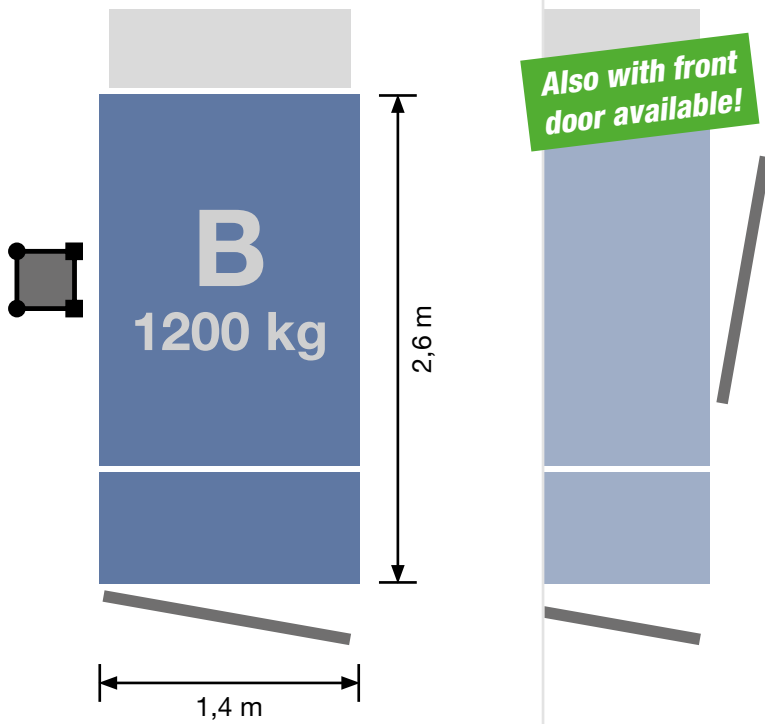


Shaft dimensions
(no person transport)



Shaft dimensions
(person transport)

Platform:



GEDA 1200 Z/ZP platform B
1 loading door / 1 unloading ramp

Recommended landing level safety gates:

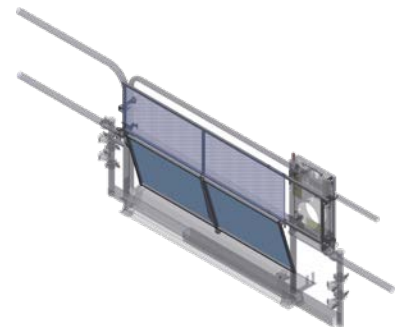


NEW!

Premium
Art. No. 68040



Comfort
Art. No. 01212



Sheet metal panel for Comfort
Art. No. 68302

Accessories:

For a wide range of accessories visit:
www.geda.de



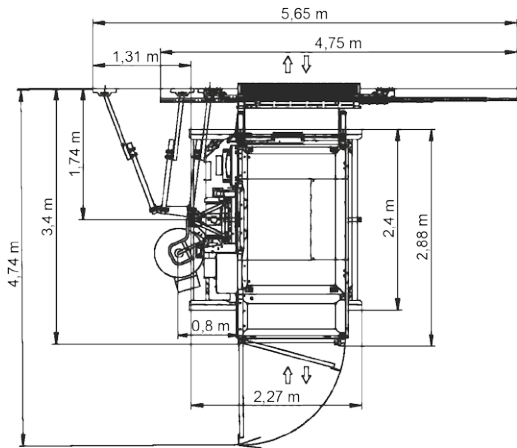
Further landing level safety gates:

Art. No. 01217	Standard
Art. No. 01268	Standard-Basic
Art. No. 68310	Sheet metal panel for Standard-Basic/Standard

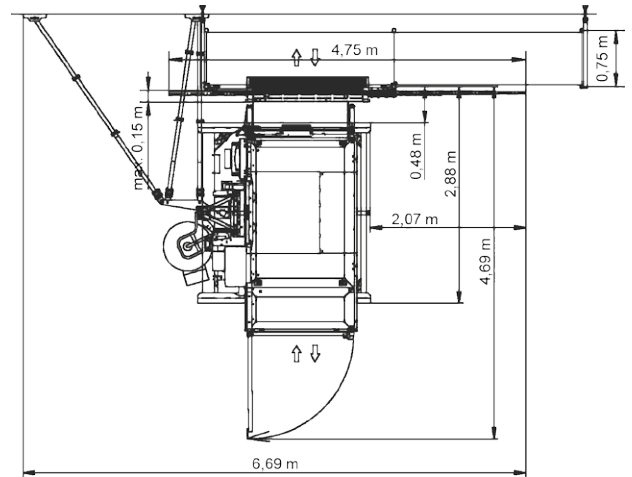
NEW!

Flexy
Art. No. K02025

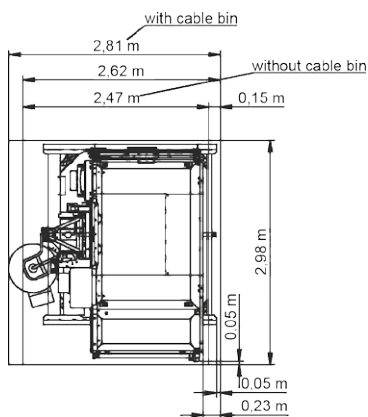
Space requirements:



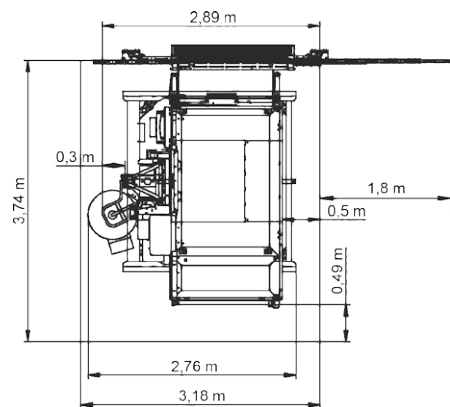
Normal space requirement in front of a wall



Normal space requirement in front of a scaffold

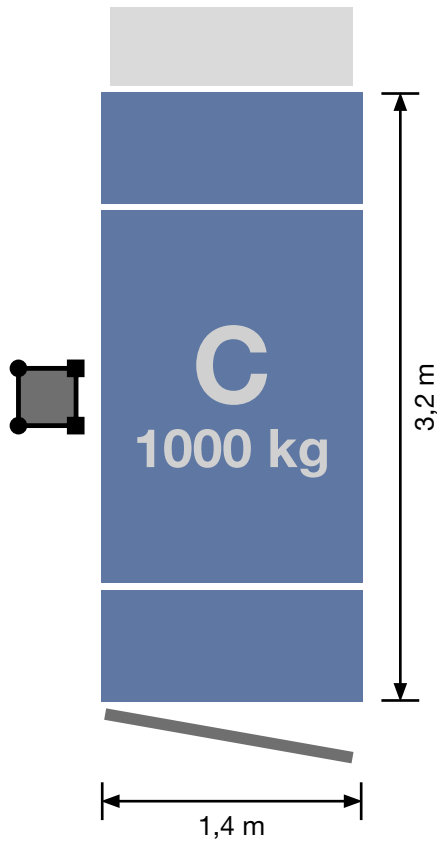


Shaft dimensions
(no person transport)



Shaft dimensions
(person transport)

Platform:

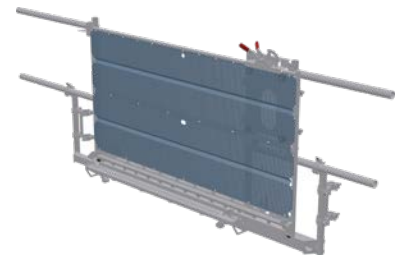


Also with front door available!



GEDA 1200 Z/ZP platform C
1 loading door / 1 unloading ramp

Recommended landing level safety gates:

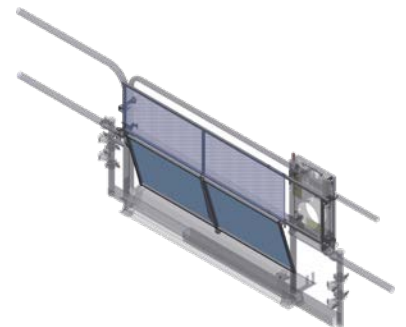


NEW!

Premium
Art. No. 68040



Comfort
Art. No. 01212



Sheet metal panel for Comfort
Art. No. 68302

Accessories:

For a wide range of accessories visit:
www.geda.de



Further landing level safety gates:

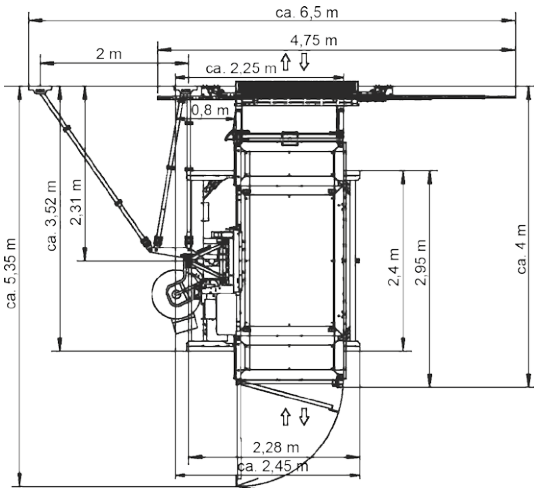
Art. No. 01217	Standard
Art. No. 01268	Standard-Basic
Art. No. 68310	Sheet metal panel for Standard-Basic/Standard



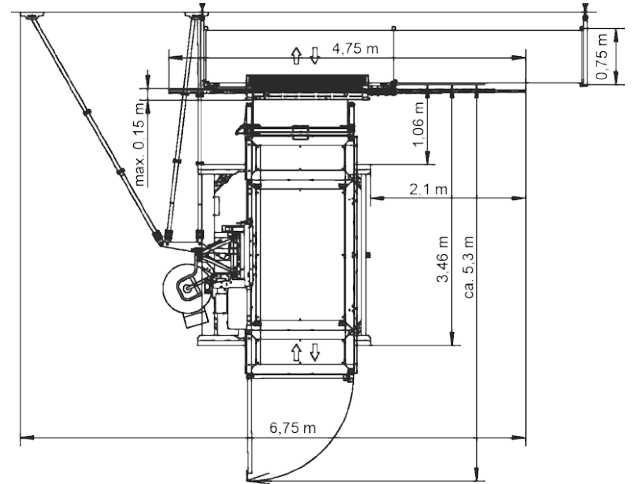
NEW!

Flexy
Art. No. K02025

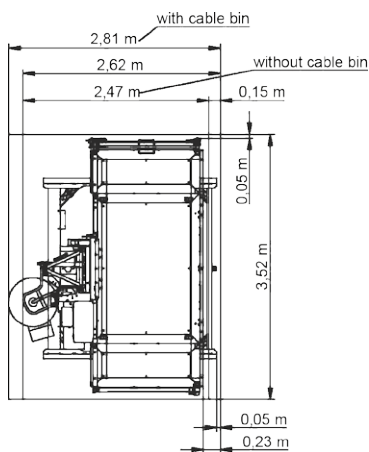
Space requirements:



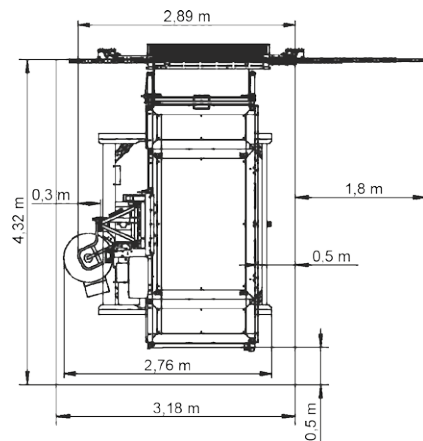
Normal space requirement in front of a wall



Normal space requirement in front of a scaffold

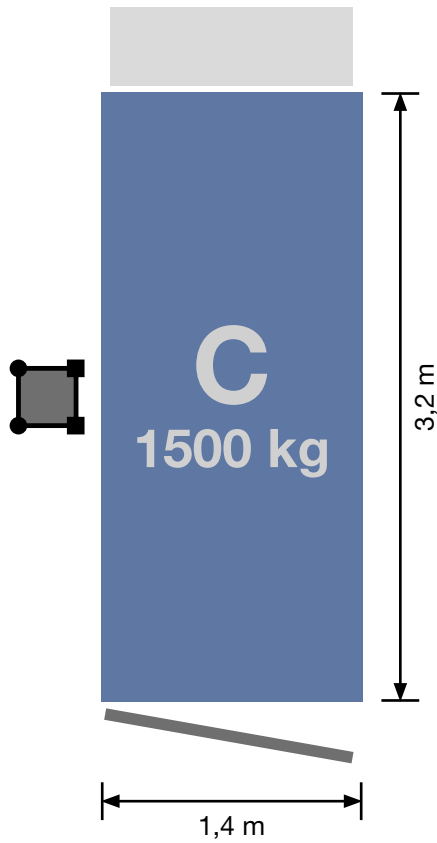


Shaft dimensions
(no person transport)



Shaft dimensions
(person transport)

Platform:



Also with loading double door on the C-side available!



GEDA 1200 Z/ZP platform C 1500 kg
1 loading door / 1 unloading ramp

Recommended landing level safety gates:

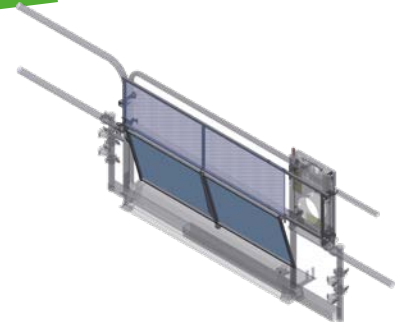


NEW!

Premium
Art. No. 68040



Comfort
Art. No. 01212



Sheet metal panel for Comfort
Art. No. 68302

Accessories:

For a wide range of accessories visit:
www.geda.de



Further landing level safety gates:

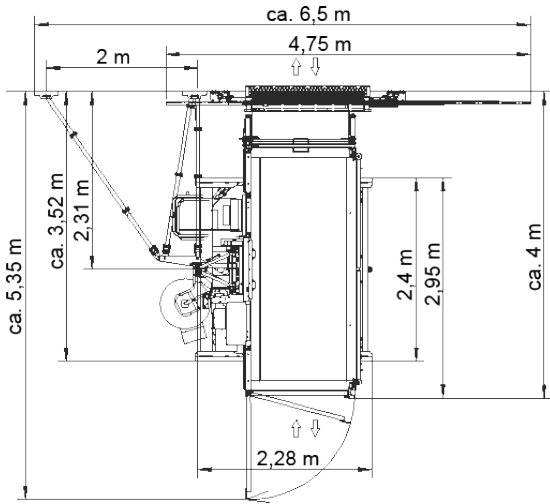
Art. No. 01217	Standard
Art. No. 01268	Standard-Basic
Art. No. 68310	Sheet metal panel for Standard-Basic/Standard

NEW!

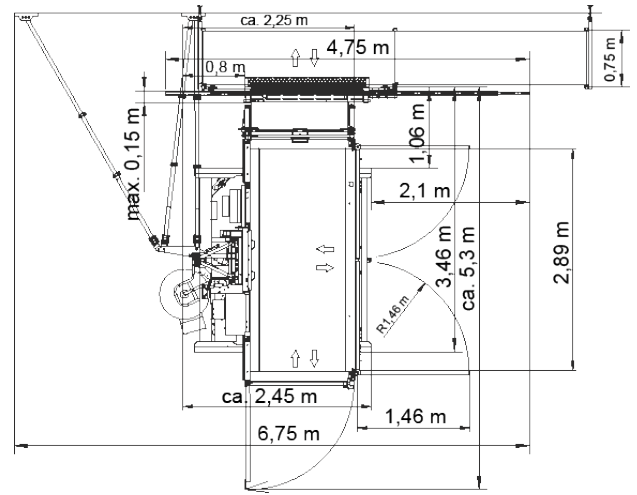
Flexy
Art. No. K02025



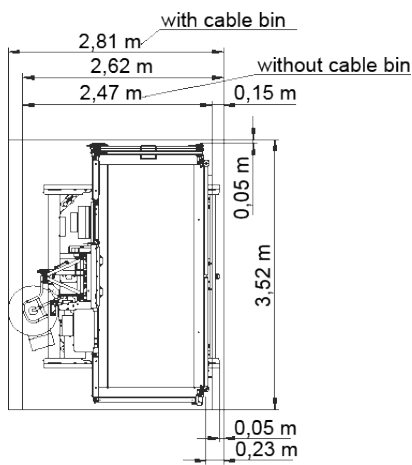
Space requirements:



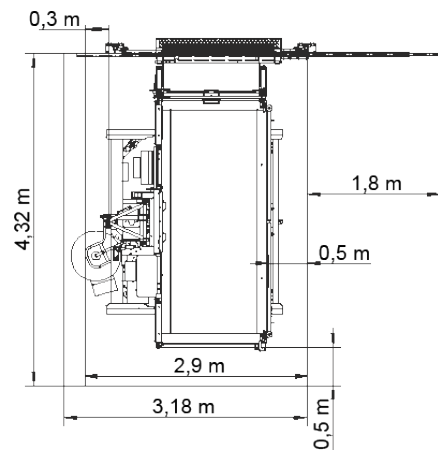
Normal space requirement in front of a wall



Normal space requirement in front of a scaffold



Shaft dimensions
(no person transport)



Shaft dimensions
(person transport)